

AERODROME OBSTACLE CHART - ICAO

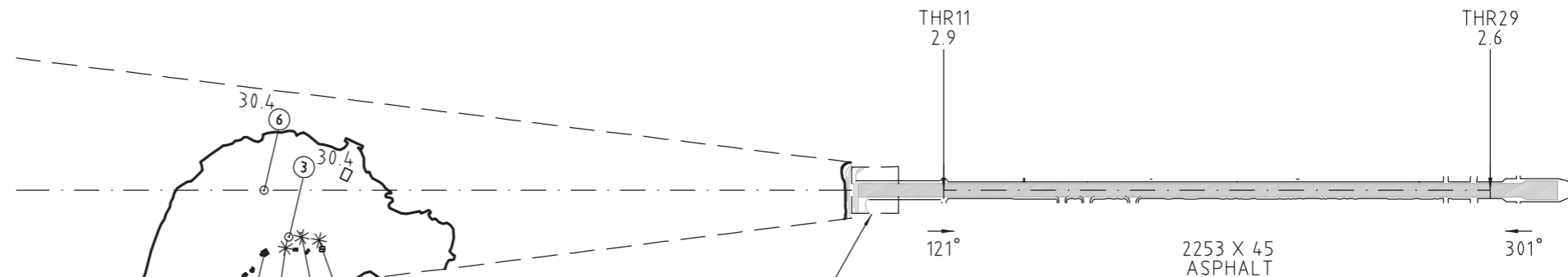
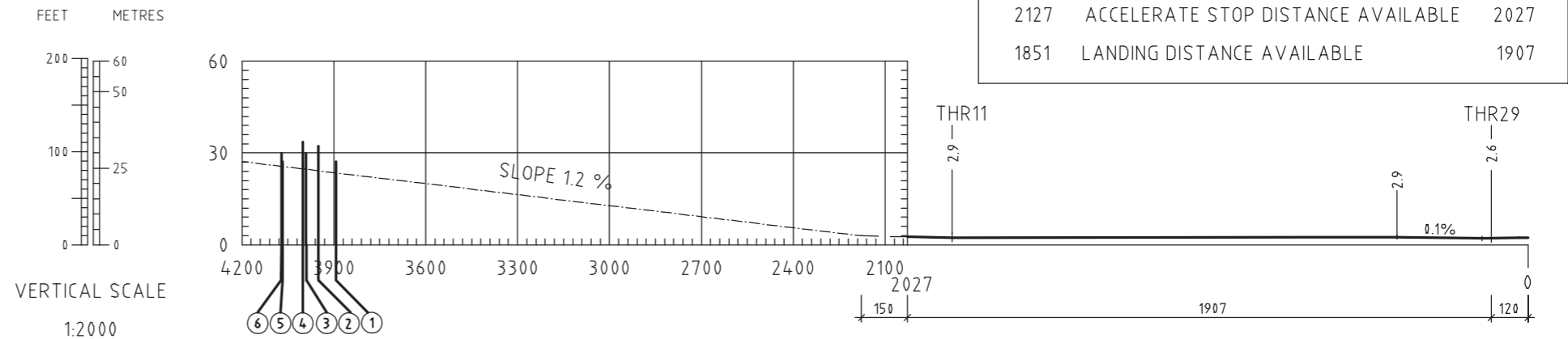
DIMENSIONS IN METRES AND ELEVATIONS IN METRES ABOVE MEAN SEA LEVEL

TYPE A - OPERATING LIMITATIONS

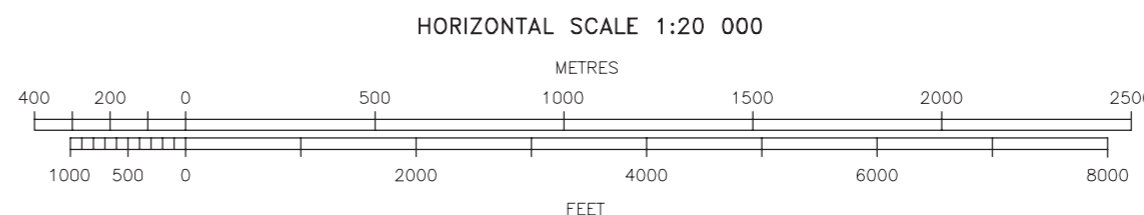
MAGNETIC VARIATION 8°E - 2005



DECLARED DISTANCES		
RWY 11		RWY 29
2127	TAKE-OFF RUN AVAILABLE	2027
2277	TAKE-OFF DISTANCE AVAILABLE	2177
2127	ACCELERATE STOP DISTANCE AVAILABLE	2027
1851	LANDING DISTANCE AVAILABLE	1907



LEGEND	
IDENTIFICATION NUMBER	①
BUILDING OR LARGE STRUCTURE	■
TREE	*
POLE, TOWER, ANTENNA, ETC.	⊙
ROAD	— — — — —
COAST	— — — — —
LAKE, RIVER	— — — — —
TRANSMISSION LINE	— T — — —
TERRAIN CONTOUR	— — — — —
TERRAIN PENETRATING OBSTACLE PLANE	— — — — —



AMENDMENT RECORD		
No.	DATE	ENTERED BY

CHANGES: NEW THR/END 29, DECLARED DISTANCES AND NEW ELEV. DUE TO NEW GEOID-MODEL