

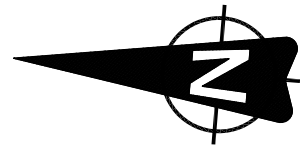
RWY 34
LAKSELV / BANAK
NORWAY

AERODROME OBSTACLE CHART - ICAO

DIMENSIONS IN METRES AND ELEVATIONS IN METRES ABOVE MEAN SEA LEVEL

TYPE A - OPERATING LIMITATIONS

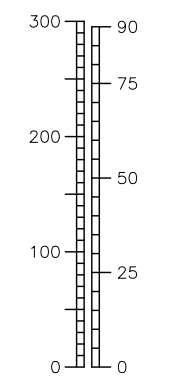
MAGNETIC VARIATION 11,5°E - 2015



DECLARED DISTANCES

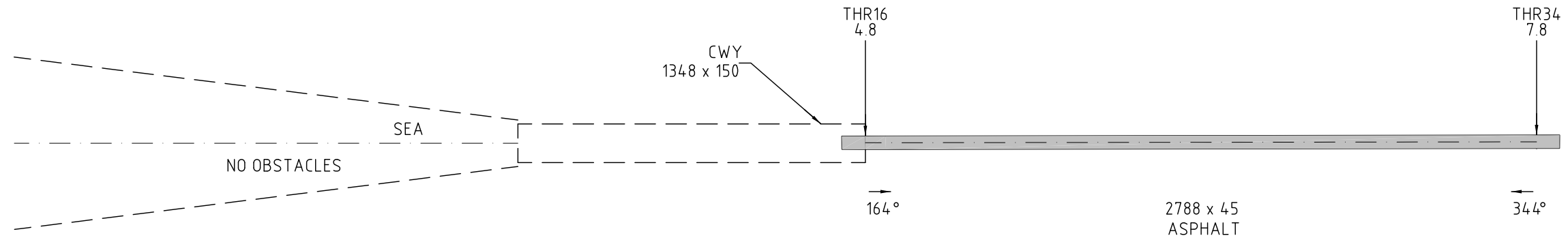
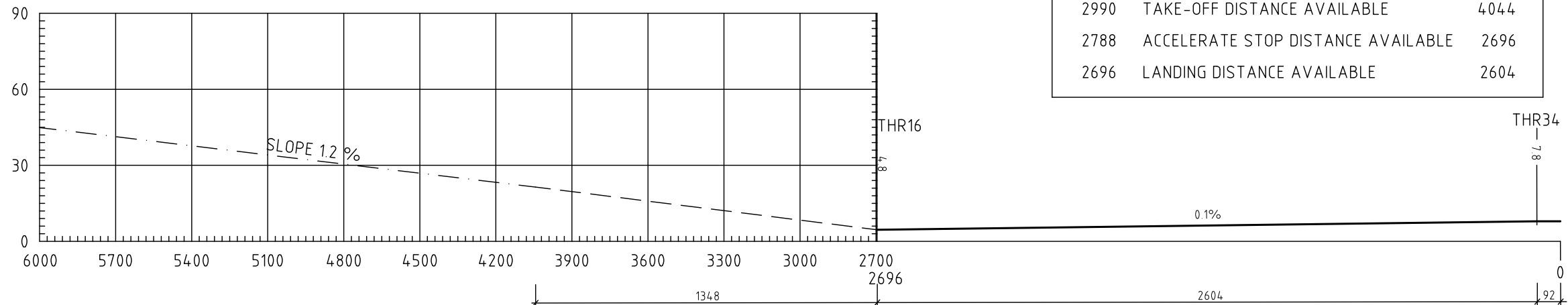
RWY 16		RWY 34	
2788	TAKE-OFF RUN AVAILABLE	2696	
2990	TAKE-OFF DISTANCE AVAILABLE	4044	
2788	ACCELERATE STOP DISTANCE AVAILABLE	2696	
2696	LANDING DISTANCE AVAILABLE	2604	

FEET METRES



VERTICAL SCALE

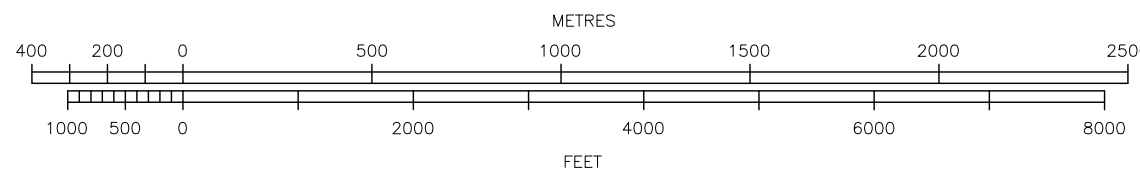
1:2000



LEGEND

IDENTIFICATION NUMBER	①
BUILDING OR LARGE STRUCTURE	■
TREE	*
POLE, TOWER, ANTENNA, ETC.	⊙
ROAD	— — — — —
COAST	— — — — —
LAKE, RIVER	— — — — —
TRANSMISSION LINE	— T — — — — —
TERRAIN CONTOUR	— — — — —
TERRAIN PENETRATING OBSTACLE PLANE	— — — — —

HORIZONTAL SCALE 1:20 000



AMENDMENT RECORD

No.	DATE	ENTERED BY