

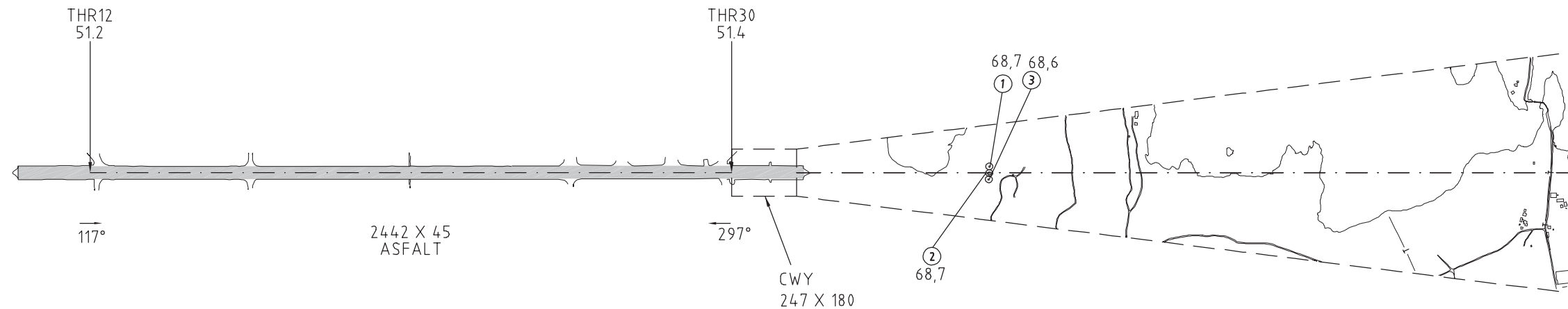
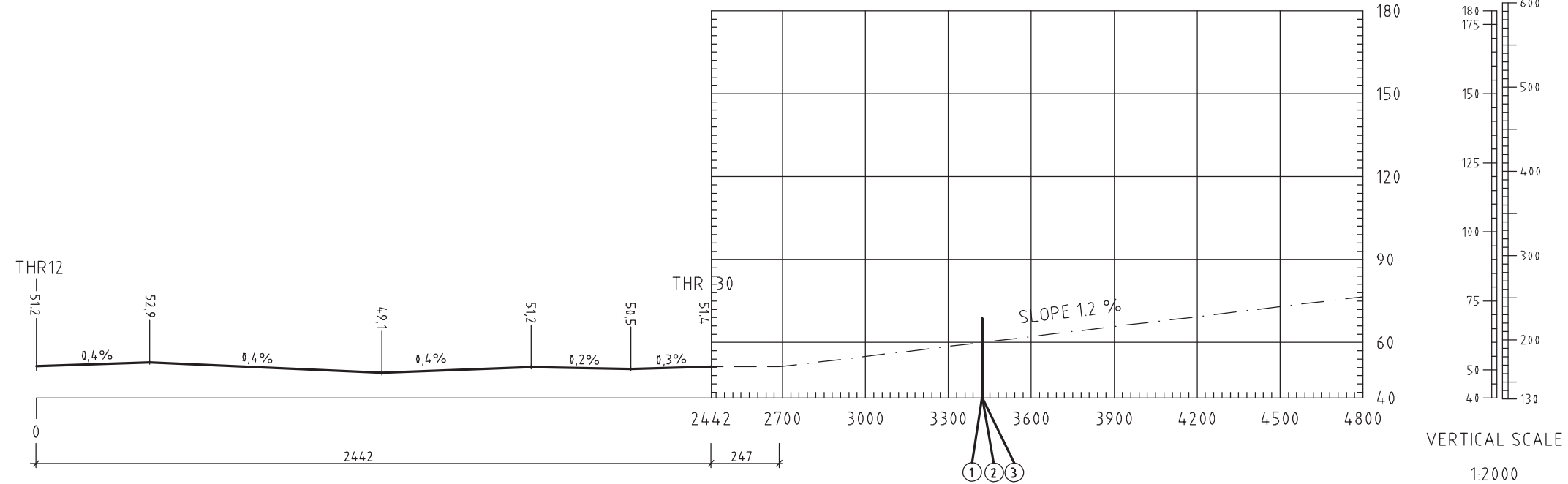
AERODROME OBSTACLE CHART - ICAO

RWY 12
MOSS / RYGGE
NORWAY

DIMENSIONS IN METRES AND ELEVATIONS IN METRES ABOVE MEAN SEA LEVEL

Type A - OPERATING LIMITATIONS

MAGNETIC VARIATION 0° 2005



LEGEND

IDENTIFICATION NUMBER	①
BUILDING OR LARGE STRUCTURE	■
TREE	*
POLE, TOWER, ANTENNA, ETC.	⊙
ROAD	— — —
COAST	— — —
LAKE, RIVER	— — —
TRANSMISSION LINE	— T —
TERRAIN CONTOUR	— — —
TERRAIN PENETRATING OBSTACLE PLANE	— — —

DECLARED DISTANCES

RWY 12		RWY 30	
2442	TAKE-OFF RUN AVAILABLE	2442	
2689	TAKE-OFF DISTANCE AVAILABLE	2502	
2442	ACCELERATE STOP DISTANCE AVAILABLE	2442	
2442	LANDING DISTANCE AVAILABLE	2442	

AMENDMENT RECORD

No.	DATE	ENTERED BY

CHANGES: OBSTACLES REMOVED AND EDITORIAL