

AERODROME OBSTACLE CHART - ICAO

DIMENSIONS IN METRES AND ELEVATIONS IN METRES ABOVE MEAN SEA LEVEL

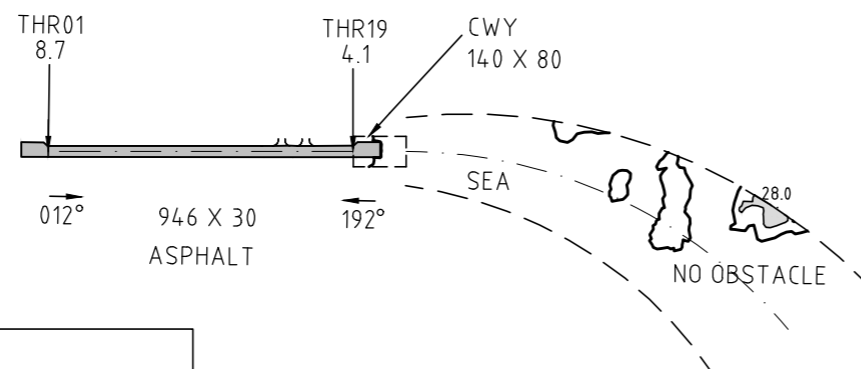
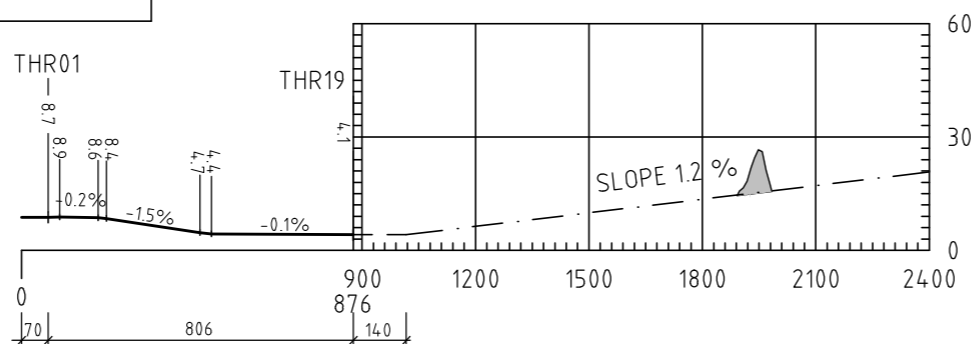
TYPE A - OPERATING LIMITATIONS

MAGNETIC VARIATION 5.3°E - 2015



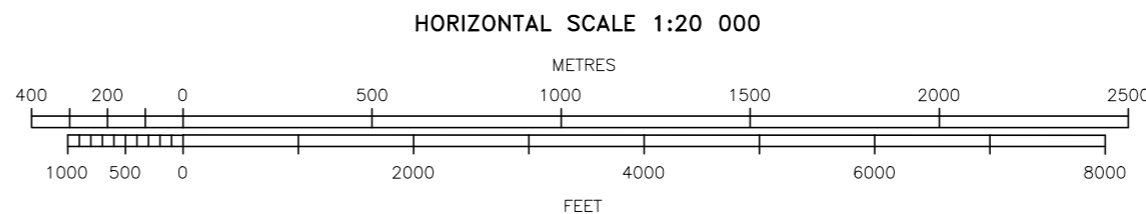
DECLARED DISTANCES

RWY 01		RWY 19	
876	TAKE-OFF RUN AVAILABLE	846	
1016	TAKE-OFF DISTANCE AVAILABLE	946	
876	ACCELERATE STOP DISTANCE AVAILABLE	846	
806	LANDING DISTANCE AVAILABLE	776	



TURN PARAMETERS	
IAS	110 KIAS
Bank angle	15°
Temperature	ISA + 15°
Radius of turn/Alt	1320M/1000FT AMSL

LEGEND	
IDENTIFICATION NUMBER	①
BUILDING OR LARGE STRUCTURE	■
TREE	*
POLE, TOWER, ANTENNA, ETC.	⊙
ROAD	— — — — —
COAST	— — — — —
LAKE, RIVER	— — — — —
TRANSMISSION LINE	— T — — — — —
TERRAIN CONTOUR	— — — — —
TERRAIN PENETRATING OBSTACLE PLANE	— — — — —



AMENDMENT RECORD		
No.	DATE	ENTERED BY

CHANGES: MAG VAR