

AERODROME OBSTACLE CHART - ICAO

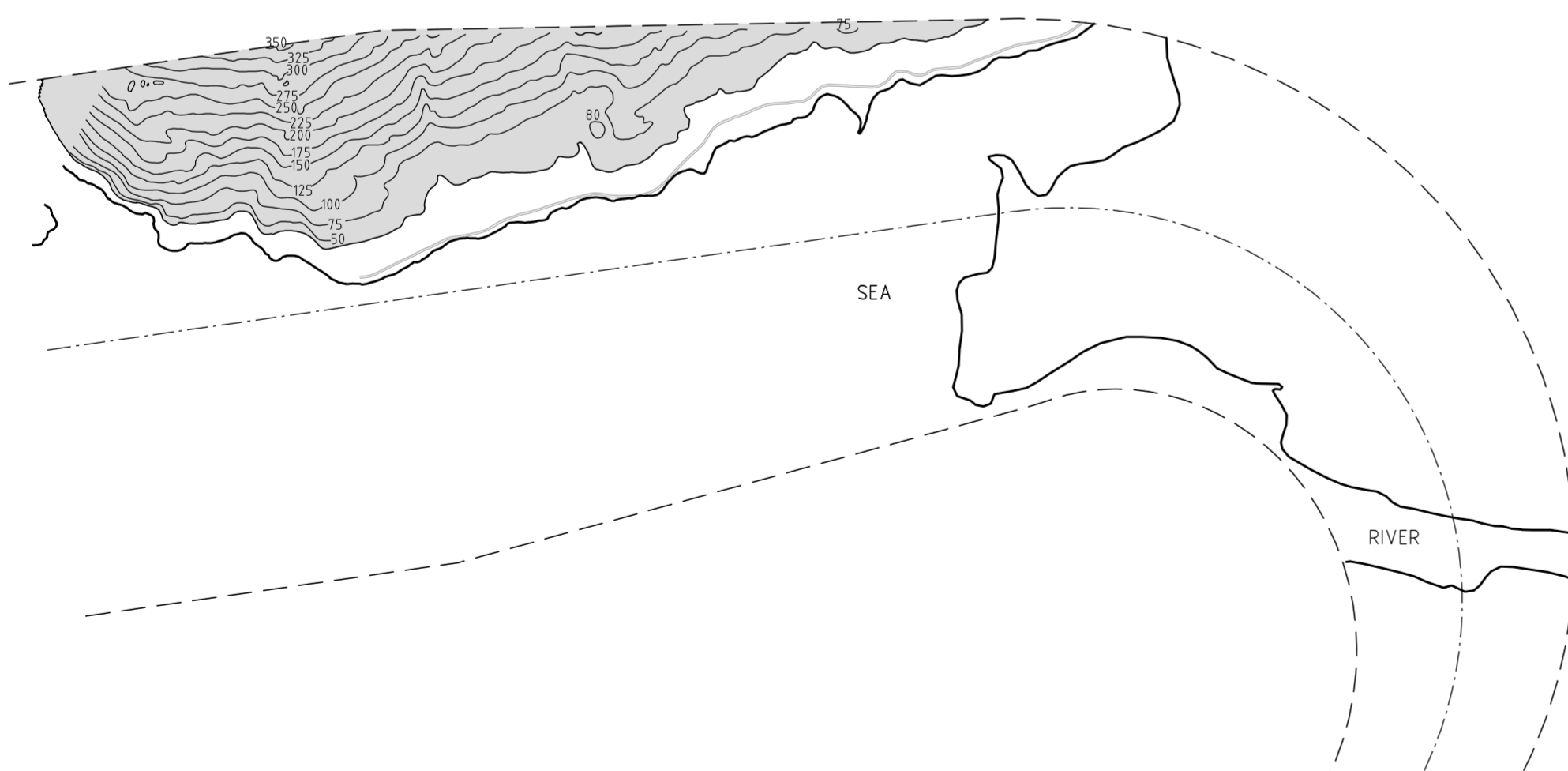
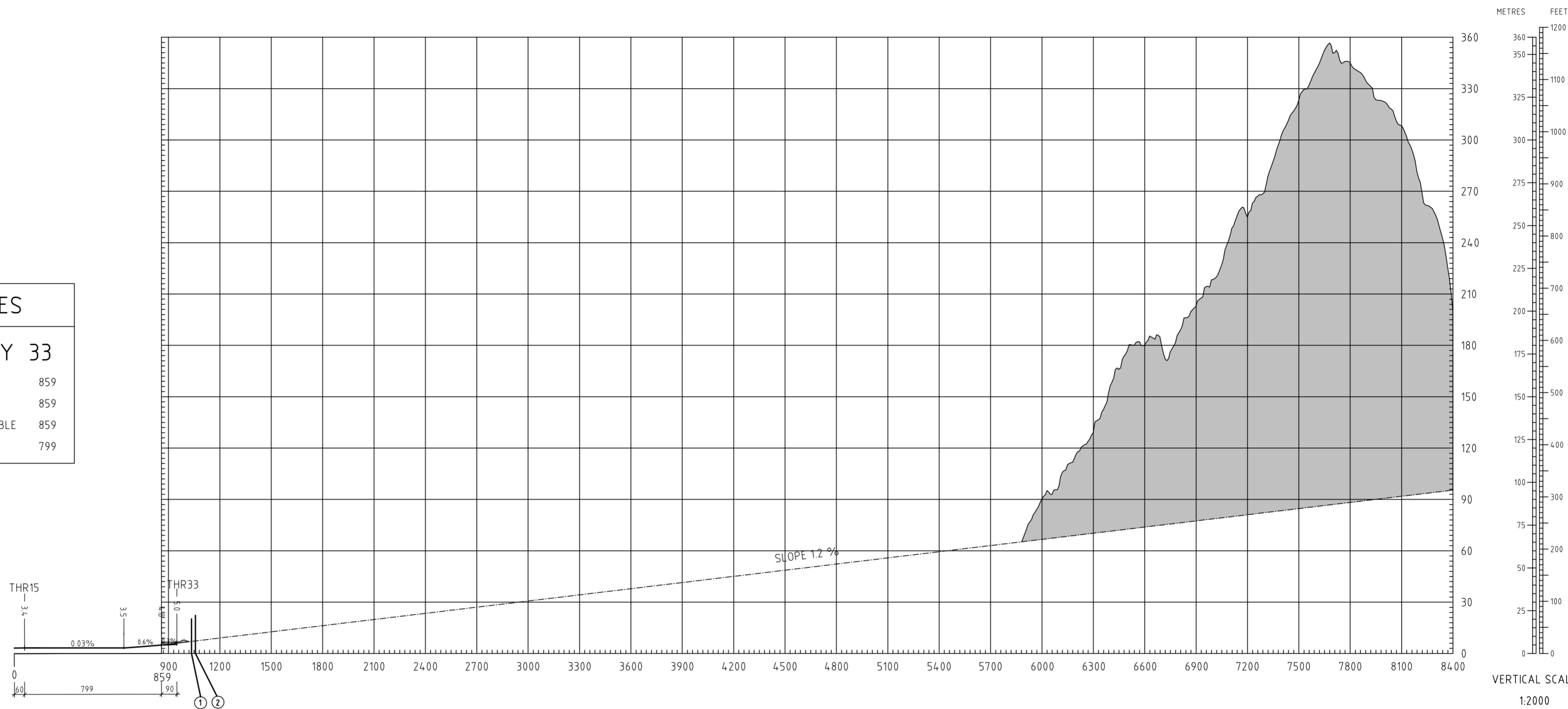
TYPE A - OPERATING LIMITATIONS

DIMENSIONS IN METRES AND ELEVATIONS IN METRES ABOVE MEAN SEA LEVEL

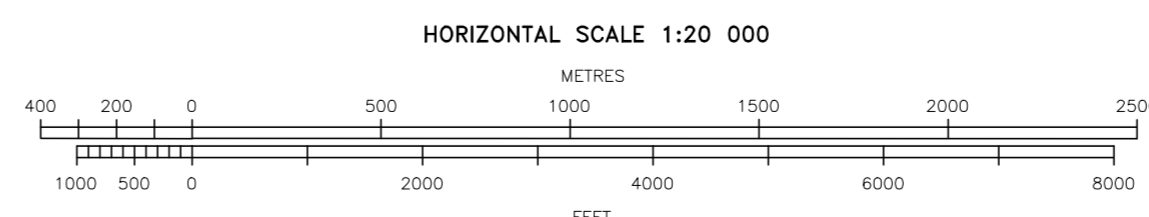
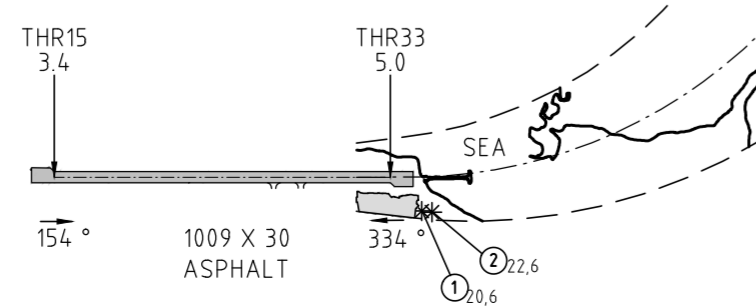
MAGNETIC VARIATION 9.2° E - 2015



DECLARED DISTANCES			
RWY 15		RWY 33	
859	TAKE-OFF RUN AVAILABLE	859	
859	TAKE-OFF DISTANCE AVAILABLE	859	
859	ACCELERATE STOP DISTANCE AVAILABLE	859	
799	LANDING DISTANCE AVAILABLE	799	



TURN PARAMETERS	
IAS	110 KIAS
Bank angle	15°
Temperature	ISA + 15°
Radius of turn/Alt	1320M/1000FT AMSL



LEGEND	
IDENTIFICATION NUMBER	①
BUILDING OR LARGE STRUCTURE	■
TREE	*
POLE, TOWER, ANTENNA, ETC.	⊙
ROAD	—
COAST	—
LAKE, RIVER	—
TRANSMISSION LINE	—T—
TERRAIN CONTOUR	—
TERRAIN PENETRATING OBSTACLE PLANE	—

AMENDMENT RECORD		
No.	DATE	ENTERED BY

CHANGES: MAG VAR