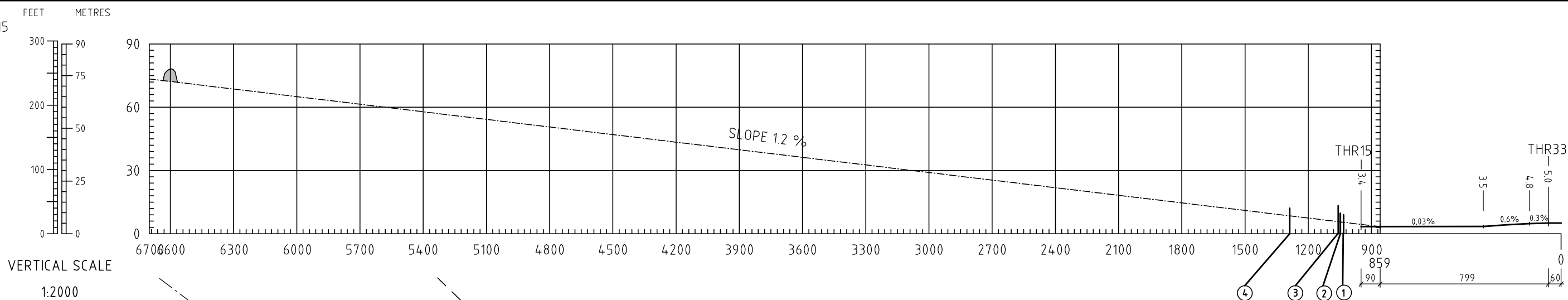
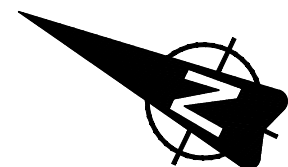


AERODROME OBSTACLE CHART - ICAO

TYPE A - OPERATING LIMITATIONS

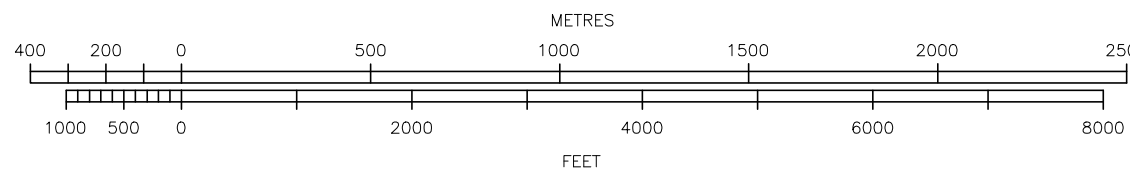
DIMENSIONS IN METRES AND ELEVATIONS IN METRES ABOVE MEAN SEA LEVEL

MAGNETIC VARIATION 9.2° E - 2015



VERTICAL SCALE
1:2000

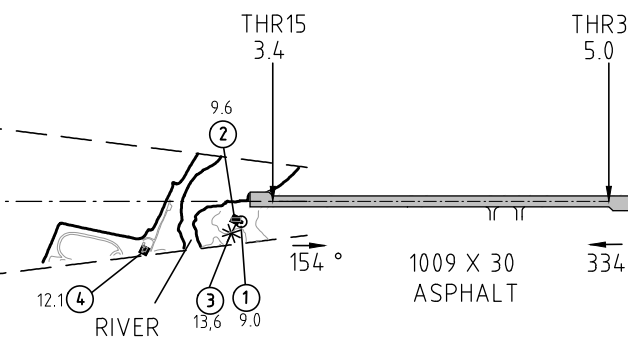
HORIZONTAL SCALE 1:20 000



DECLARED DISTANCES		
	RWY 15	RWY 33
859	TAKE-OFF RUN AVAILABLE	859
859	TAKE-OFF DISTANCE AVAILABLE	859
859	ACCELERATE STOP DISTANCE AVAILABLE	859
799	LANDING DISTANCE AVAILABLE	799

TURN PARAMETERS	
IAS	110 KIAS
Bank angle	15°
Temperature	ISA + 15°
Radius of turn/Alt	1320M/1000FT AMSL

LEGEND	
IDENTIFICATION NUMBER	①
BUILDING OR LARGE STRUCTURE	■
TREE	*
POLE, TOWER, ANTENNA, ETC.	⊙
ROAD	— — — — —
COAST	— — — — —
LAKE, RIVER	— — — — —
TRANSMISSION LINE	— T — — — — —
RAILWAY	— — — — —
TERRAIN CONTOUR	— — — — —
TERRAIN PENETRATING OBSTACLE PLANE	— — — — —



AMENDMENT RECORD		
No.	DATE	ENTERED BY

CHANGES: MAG VAR