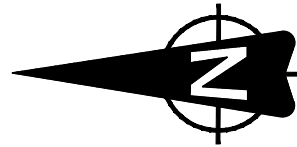


AERODROME OBSTACLE CHART - ICAO

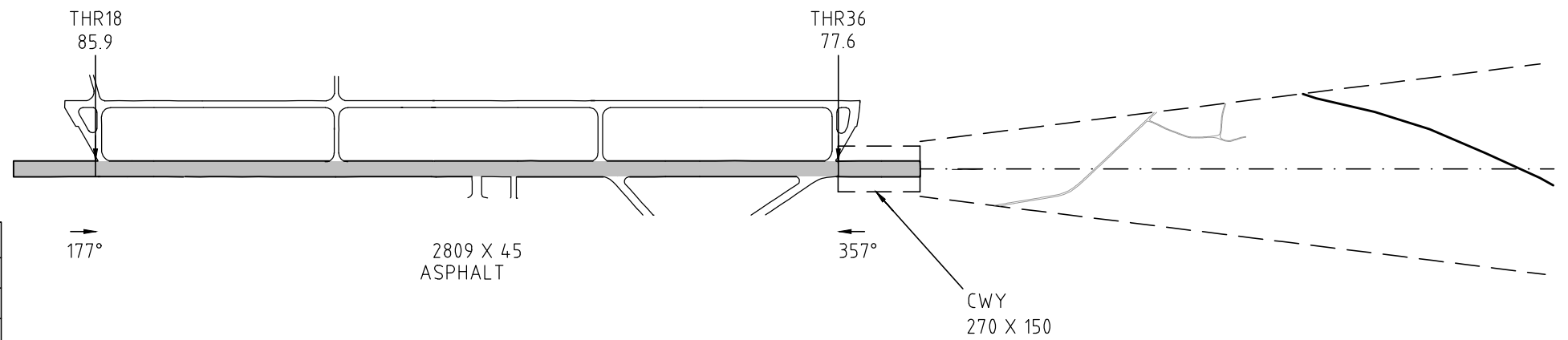
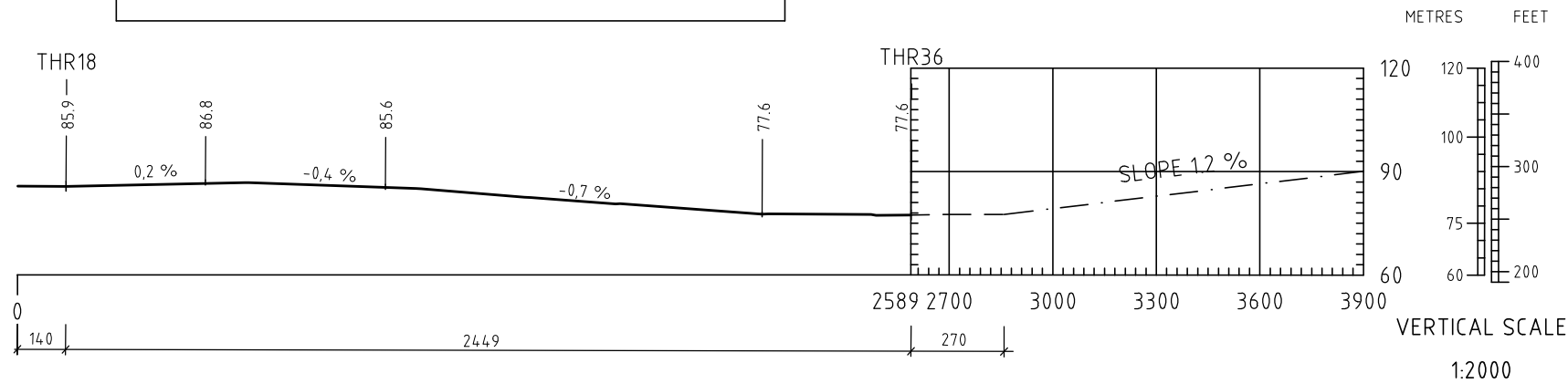
DIMENSIONS AND ELEVATIONS IN METRES ABOVE MEAN SEA LEVEL

TYPE A - OPERATING LIMITATIONS

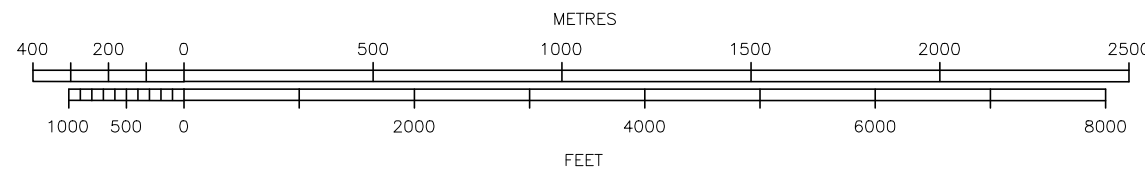
MAGNETIC VARIATION 2,5° E - 2015



DECLARED DISTANCES		
RWY 18		RWY 36
2589	TAKE-OFF RUN AVAILABLE	2669
2859	TAKE-OFF DISTANCE AVAILABLE	2939
2589	ACCELERATE STOP DISTANCE AVAILABLE	2669
2449	LANDING DISTANCE AVAILABLE	2449



HORIZONTAL SCALE 1:20 000



LEGEND	
IDENTIFICATION NUMBER	①
BUILDING OR LARGE STRUCTURE	■
TREE	*
POLE, TOWER, ANTENNA, ETC.	⊙
ROAD	— — — — —
COAST	— — — — —
LAKE, RIVER	— — — — —
TRANSMISSION LINE	— — — — —
RAILWAY	— — — — —
TERRAIN CONTOUR	— — — — —
TERRAIN PENETRATING OBSTACLE PLANE	— — — — —

AMENDMENT RECORD		
No.	DATE	ENTERED BY

CHANGES: MAG. VAR.