

RWY 27

TRONDHEIM / VÆRNES

NORWAY

AERODROME OBSTACLE CHART - ICAO

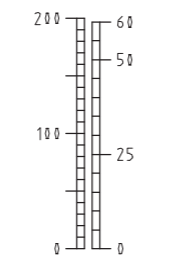
DIMENSIONS IN METRES AND ELEVATIONS IN METRES ABOVE MEAN SEA LEVEL

Type A - OPERATING LIMITATIONS

MAGNETIC VARIATION 2,1° E - 2010

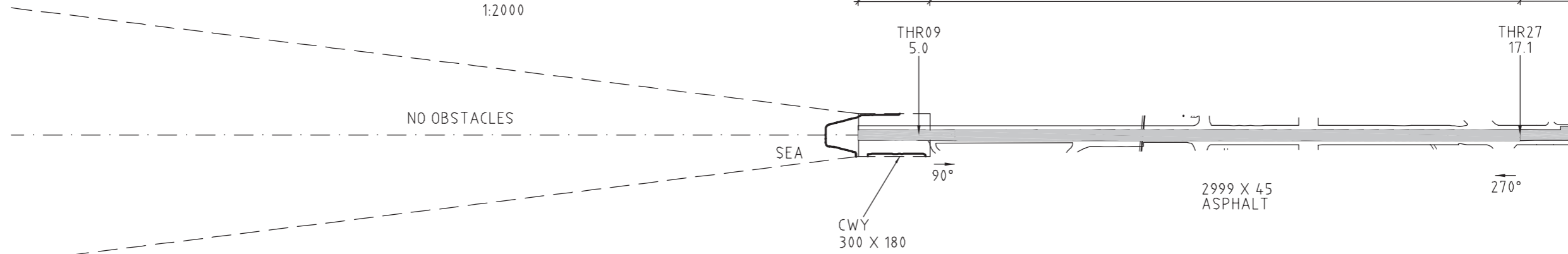
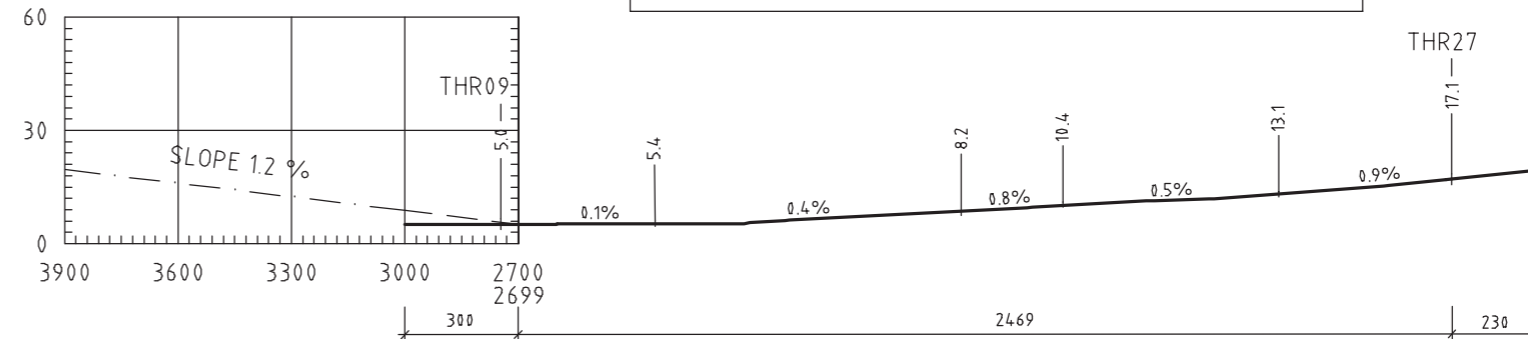


FEEET METRES

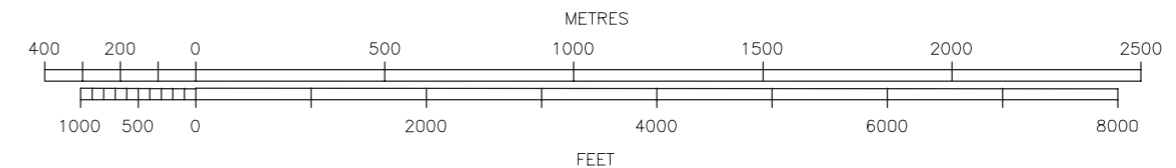


VERTICAL SCALE  
1:2000

DECLARED DISTANCES		
	RWY 09	RWY 27
2699	TAKE-OFF RUN AVAILABLE	2699
3059	TAKE-OFF DISTANCE AVAILABLE	2999
2699	ACCELERATE STOP DISTANCE AVAILABLE	2699
2446	LANDING DISTANCE AVAILABLE	2469



HORIZONTAL SCALE 1:20 000



LEGEND	
IDENTIFICATION NUMBER	①
BUILDING OR LARGE STRUCTURE	■
TREE	*
POLE, TOWER, ANTENNA, ETC.	⊙
ROAD	— — —
COAST	— — —
LAKE, RIVER	— — —
TRANSMISSION LINE	— T —
RAILWAY	— — —
TERRAIN CONTOUR	— — —
TERRAIN PENETRATING OBSTACLE PLANE	— — —

AMENDMENT RECORD		
No.	DATE	ENTERED BY

CHANGES: NEW THR09, DECLARED DISTANCES, MAG. VAR. AND EDITORIAL